




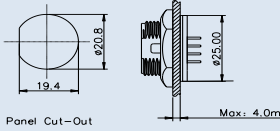
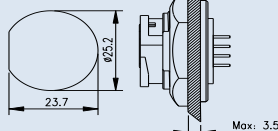
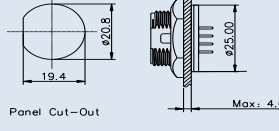
RJ45 SERIES

CHOGORI

RJ45 Series Specifications

RJ45 Series, Panel Front Mount

Description	Panel Front Mount, Screw Type, PCB	Panel Front Mount, Lock Bayonet Type, PCB	Panel Front Mount, Screw(Metal) Type, PCB
Figure			

Drawing	 <p>Panel Cut-Out</p> <p>Max.: 4.0mm</p>	 <p>Panel Cut-out</p> <p>Max.: 3.5mm</p>	 <p>Panel Cut-Out</p> <p>Max.: 4.0mm</p>
---------	---	--	---

Part Number	<table border="1"> <thead> <tr> <th>Contacts</th> <th>Part Number</th> </tr> </thead> <tbody> <tr> <td>8</td> <td>33000000-07</td> </tr> </tbody> </table>	Contacts	Part Number	8	33000000-07	<table border="1"> <thead> <tr> <th>Contacts</th> <th>Part Number</th> </tr> </thead> <tbody> <tr> <td>8</td> <td>33000000-08</td> </tr> </tbody> </table>	Contacts	Part Number	8	33000000-08	<table border="1"> <thead> <tr> <th>Contacts</th> <th>Part Number</th> </tr> </thead> <tbody> <tr> <td>8</td> <td>33000000-09</td> </tr> </tbody> </table>	Contacts	Part Number	8	33000000-09
Contacts	Part Number														
8	33000000-07														
Contacts	Part Number														
8	33000000-08														
Contacts	Part Number														
8	33000000-09														

Specifications		
Number of Contacts	8	
Wire Gauge	24AWG	
Panel Thickness	Max. 4.0mm	Max. 4.0mm
Environmental Protection	IP67	IP67
Mechanical Life	500 mating cycles	
Operating Temperature	- 40°C - 85°C	